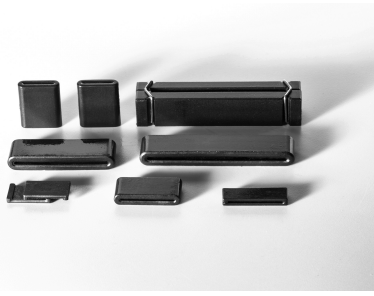


EMI Ferrite Core—FS Series

FS Series



Features

Excellent heat resistance
Available in various sizes & materials
High reliability

Applications

E.M.I. Suppression on round cable...
Computer and peripheral products
Consumer electronic products
Communication electronic products
Measuring instruments

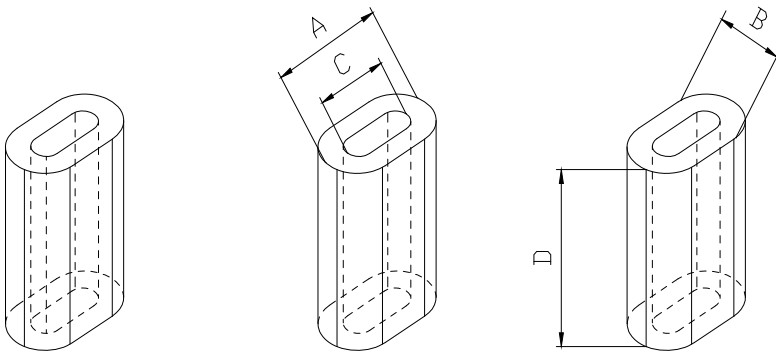
Product Identification

FS X x X x X x X - X
For example: FS 5X3X3X9-1

General Specifications

Test Frequency.....25MHz
Test Frequency.....100MHz
Parameters Test Temp..... 25℃
Operation Temp.....-20℃ to +85℃
(Including temperature Rise)
Storage Temp.....0~-40℃
Storage Humidity.....<70% RH

Shape



Standard Specifications And Dimensions

| Stamp | Impedance 25MHz (Ω)Min | Impedance 100MHz (Ω)Min | Dimensions In mm | | | | |
|-------------------------|------------------------------|-------------------------------|------------------|----------|----------|----------|---------|
| | | | A | B | C | D | E |
| FS 5X3X3X9-1 | 40 | 95 | 5.00±0.3 | 3.00±0.3 | 3.00±0.3 | 9.00±0.4 | 1.0±0.3 |
| FS 5X3X3.4X4-1.4 | 20 | 65 | 5.00±0.3 | 3.00±0.3 | 3.40±0.3 | 4.00±0.3 | 1.4±0.3 |
| FS 5X3X3.4X9-1.4 | 30 | 85 | 5.00±0.3 | 3.00±0.3 | 3.40±0.3 | 9.00±0.4 | 1.4±0.3 |
| FS 6.5X3.8X4X5.5-1.5 | 20 | 70 | 6.50±0.4 | 3.80±0.4 | 4.00±0.4 | 5.50±0.4 | 1.5±0.4 |
| FS 6.5X3.8X4X9-1.5 | 65 | 85 | 6.50±0.4 | 3.80±0.4 | 4.00±0.4 | 9.00±0.4 | 1.5±0.4 |
| FS 7.5X5.5X5.3X8-3.3 | 25 | 75 | 7.50±0.5 | 5.50±0.5 | 5.30±0.5 | 8.00±0.5 | 3.3±0.5 |
| FS 7.5X5.5X5.3X11.5-3.3 | 30 | 85 | 7.50±0.5 | 5.50±0.5 | 5.30±0.5 | 11.5±0.5 | 3.3±0.5 |
| FS 8.5X5X6.2X3.4-1.3 | 20 | 60 | 8.50±0.5 | 5.00±0.5 | 6.20±0.5 | 3.40±0.4 | 1.3±0.4 |
| FS 9.1X5.6X7.2X5-3.7 | 20 | 65 | 9.10±0.5 | 5.60±0.5 | 7.20±0.5 | 5.00±0.5 | 3.7±0.5 |
| FS 9.1X5.6X7.2X7.8-3.7 | 20 | 70 | 9.10±0.5 | 5.60±0.5 | 7.20±0.5 | 7.80±0.5 | 3.7±0.5 |
| FS 12X4.5X9X12-1.5 | 45 | 115 | 12.0±0.5 | 4.50±0.5 | 9.00±0.5 | 12.0±0.5 | 1.5±0.5 |

* All the data listed in this catalogue are for reference only, reserves the right to alter or revise the specifications without prior notification.

* Beyond the above specification also can meet the special requirements. Need detailed content Please to the website query or contact us.

EMI Ferrite Core—FS Series

Standard Specifications And Dimensions

| Stamp | Impedance 25MHz (Ω)Min | Impedance 100MHz (Ω)Min | Dimensions In mm | | | | |
|---------------------------|---------------------------------------|--|------------------|----------|----------|----------|---------|
| | | | A | B | C | D | E |
| FS 19X6.5X14X8-1.7 | 25 | 75 | 19.0±0.6 | 6.50±0.5 | 14.0±0.6 | 8.00±0.5 | 1.7±0.5 |
| FS 19X6.5X14X8-2.0 | 25 | 75 | 19.0±0.6 | 6.50±0.5 | 14.0±0.6 | 8.00±0.5 | 2.0±0.5 |
| FS 19X6.5X13.5X12-1.8 | 40 | 100 | 19.0±0.6 | 6.50±0.5 | 13.5±0.6 | 12.0±0.5 | 1.8±0.5 |
| FS 19X6.5X14X12-1.8 | 40 | 100 | 19.0±0.6 | 6.50±0.5 | 14.0±0.6 | 12.0±0.5 | 1.8±0.5 |
| FS 19X6.5X14.5X12-2.5 | 30 | 85 | 19.0±0.6 | 6.50±0.5 | 14.5±0.6 | 12.0±0.5 | 2.0±0.5 |
| FS 23.5X6.5X18.5X12.5-1.5 | 40 | 110 | 23.5±0.6 | 6.50±0.5 | 18.5±0.6 | 12.5±0.5 | 1.5±0.5 |
| FS 23.5X6.5X18.5X15-1.1 | 45 | 120 | 23.5±0.6 | 6.50±0.5 | 18.5±0.6 | 15.0±0.5 | 1.1±0.5 |
| FS 23.5X6.5X19.5X15-1.4 | 40 | 115 | 23.5±0.6 | 6.50±0.5 | 19.5±0.6 | 15.0±0.5 | 1.4±0.5 |
| FS 25X5X21X9.5-1.5 | 25 | 95 | 25.0±0.6 | 5.00±0.5 | 21.0±0.6 | 9.5±0.5 | 1.5±0.5 |
| FS 25X5X21X12-1.5 | 30 | 100 | 25.0±0.6 | 5.00±0.5 | 21.0±0.6 | 12.0±0.5 | 1.5±0.5 |
| FS 28X7.7X23X12-2.4 | 35 | 100 | 28.0±0.7 | 7.70±0.5 | 23.0±0.6 | 12.0±0.5 | 2.4±0.5 |
| FS 28X8X21X15-2 | 40 | 110 | 28.0±0.7 | 8.00±0.5 | 21.0±0.6 | 15.0±0.5 | 2.0±0.5 |
| FS 28X14X20.5X13-7.2 | 30 | 90 | 28.0±0.7 | 14.0±0.5 | 20.5±0.6 | 13.0±0.5 | 7.2±0.5 |
| FS 29X8X22X10-2 | 30 | 95 | 29.0±0.7 | 8.00±0.5 | 22.0±0.6 | 10.0±0.5 | 2.0±0.5 |
| FS 29X8X22X12-2.4 | 30 | 115 | 29.0±0.7 | 8.00±0.5 | 22.0±0.6 | 12.0±0.5 | 2.4±0.5 |
| FS 32X6.5X27.5X9.5-3.0 | 20 | 80 | 32.0±1.0 | 6.50±0.5 | 27.5±0.6 | 9.50±0.5 | 3.0±0.5 |
| FS 32X6.5X28X12-2.5 | 20 | 85 | 32.0±1.0 | 6.50±0.5 | 28.0±0.6 | 12.0±0.5 | 2.5±0.5 |
| FS 32X6.5X28.5X9.5-2.5 | 20 | 80 | 32.0±1.0 | 6.50±0.5 | 28.5±0.6 | 9.50±0.5 | 2.5±0.5 |
| FS 33.5X6.5X27X8-1.3 | 25 | 85 | 33.5±1.0 | 6.50±0.5 | 27.0±0.6 | 8.00±0.5 | 1.3±0.5 |
| FS 33.5X6.5X27X10-1.3 | 30 | 105 | 33.5±1.0 | 6.50±0.5 | 27.0±0.6 | 10.0±0.5 | 1.3±0.5 |
| FS 33.5X6.5X27X12-1.3 | 30 | 110 | 33.5±1.0 | 6.50±0.5 | 27.0±0.6 | 12.0±0.5 | 1.3±0.5 |
| FS 33.5X6.5X27X15-1.3 | 40 | 120 | 33.5±1.0 | 6.50±0.5 | 27.0±0.6 | 15.0±0.5 | 1.3±0.5 |
| FS 33.5X6.5X27.5X8-1.5 | 20 | 80 | 33.5±1.0 | 6.50±0.5 | 27.5±0.6 | 8.00±0.5 | 1.5±0.5 |
| FS 33.5X6.5X27.5X10-1.8 | 30 | 95 | 33.5±1.0 | 6.50±0.5 | 27.5±0.6 | 10.0±0.5 | 1.8±0.5 |
| FS 33.5X6.5X27.5X12-1.8 | 35 | 100 | 33.5±1.0 | 6.50±0.5 | 27.5±0.6 | 12.0±0.5 | 1.8±0.5 |
| FS 38.5X4X35X12-0.8 | 35 | 115 | 38.5±1.5 | 4.00±0.4 | 35.0±1.0 | 12.0±0.5 | 0.8±0.4 |
| FS 38.5X4X35X18-0.8 | 50 | 150 | 38.5±1.5 | 4.00±0.4 | 35.0±1.0 | 18.0±0.6 | 0.8±0.4 |
| FS 40X6.5X35X12-1.8 | 30 | 110 | 40.0±1.5 | 6.50±0.5 | 35.0±1.0 | 12.0±0.5 | 1.8±0.5 |
| FS 40X6.5X35X15-2 | 30 | 100 | 40.0±1.5 | 6.50±0.5 | 35.0±1.0 | 15.0±0.5 | 2.0±0.5 |
| FS 40X6.5X35X18-2 | 40 | 125 | 40.0±1.5 | 6.50±0.5 | 35.0±1.0 | 18.0±0.5 | 2.0±0.5 |
| FS 49.6X6.5X44X12-1.3 | 20 | 65 | 49.6±1.5 | 6.50±0.5 | 44.0±1.0 | 12.0±0.5 | 1.3±0.5 |

* All the data listed in this catalogue are for reference only, reserves the right to alter or revise the specifications without prior notification.

* Beyond the above specification also can meet the special requirements. Need detailed content Please to the website query or contact us.